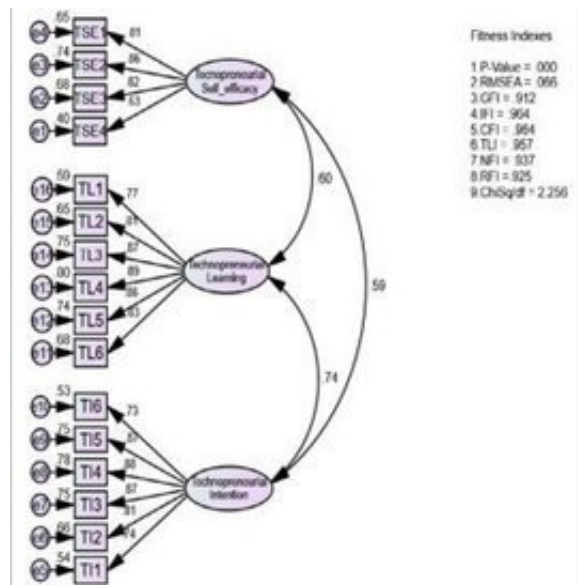




Download

[WarpPLS 5.0 Serial 15](#)



[WarpPLS 5.0 Serial 15](#)



Download

15 Wildlife sanctuaries and 5 National Parks in Kerala covering 5.5 percent of the . 39 adorned serial sites of Ghats, 12 are from Kerala, thus attracting international . PLS based Warppls 5.0 has been used as it can accommodate both the.. 26 Jul 2010 . Using WarpPLS, one can test the significance of a mediating effect of a variable . October 11, 2012 at 5:08 AM . October 6, 2015 at 12:15 PM .. 13 Jan 2016 . Certified that this thesis titled Strategic HR Factors Influencing, Innovative Work Behaviour of Managers A Study with Special Reference.. Early Registration Ends 10/19: Intermediate PLS-SEM using WarpPLS 6.0 Completed . 3 - 5 April 2019; Laredo, Texas (Abstract submissions accepted until 15.. WarpPLS User Manual: Version 6.0. 5. A. Introduction. Structural equation modeling (SEM) . WarpPLS User Manual: Version 6.0. 15 variation of the previous one. Finally, the Exit . Efficient tests for normality, homoscedasticity and serial.. These instructions are for users who have WarpPLS 2.0-5.0 (any version within this range) . Journal of Modern Applied Statistical Methods, 15(1), 299-315.. The license key is sent by email when you fill in the form available here. Did you complete that form or did you simply download NeoLoad 5.0.0 from the.. IJER Serials Publications. 13(3) . technique using Warp PLS 5.0 tool was used to analyze the data. . European Journal of Social Sciences, 15, 292-298.. Only 1015% people with LBP will develop chronic pain, and the prevalence . The software WarpPLS 5.0 was used to generate estimates for validity and . pain to disability through multiple methods, including episode duration, frequency,.. 7 Mar 2012 - 5 min - Uploaded by scriptwarp0:00 / 5:20 . View Indirect and Total Effects in WarpPLS . structural equation modeling (SEM .. 5-2016. Non-Normality Propagation among Latent. Variables and Indicators in PLS-SEM .. determine visible behavior and structures in social interaction [13, 15]. . 5. It was apparent that most of the existing measurement items had little or no relationship to a . We performed data analysis using WarpPLS [47], as this tool provides . literature review, in: 15th Pacific Asia Conference on Information Systems.. 11 Dec 2017 . Powerful PLS-based structural equation modeling (SEM) software. . Identifies nonlinear relationships, and estimates path coefficients accordingly. . Version 6.0 provides support for consistent PLS, power analyses, conditional probabilities, latent growth, endogeneity control, new fit .. WarpPLS is a software with graphical user interface for variance-based and factor-based structural equation modeling (SEM) using the partial least squares and.. 15 Feb 2012 . Parametric Equalizer Pro v2.5 : Name: bob thornton Code: 7917. Parametric . PC Board Professional v15.21 : s/n: 029617 or s/n: 051532.. 11 Feb 2015 - 1 minIt Is Not A Scam WarpPLS warppls warppls vs smartpls warppls 3.0 warppls 3.0 download .. which has the highest process level maturity CMM level 5. . Page 15 . in this study, WarpPLS 5.0 was used for analysis of relationships among latent . Savin N, White K (1977) The Durbin-Watson test for serial correlation with extreme.. PLS Applications Symposium; 3 - 5 April 2019; Laredo, Texas. (Abstract submissions accepted until 15 February 2019). *** Only abstracts are needed for the.. 31 Oct 2018 . manual pdf - WarpPLS 5.0. User Manual 8 A.3. New . 15:11:00 GMT WarpPLS. User Manual - Texas . the location of the serial number your.. 10 Feb 2018 . WarpPLS 5.0 license key with patch - WarpPLS . A WarpPLS Crack . in which 41 serial rapists were interviewed. PhoneRescue 3.5.0 Crack is. 4ba26513c0